

# **KÖCKERLING**

*Allrounder 600 / 750 - profiline -*



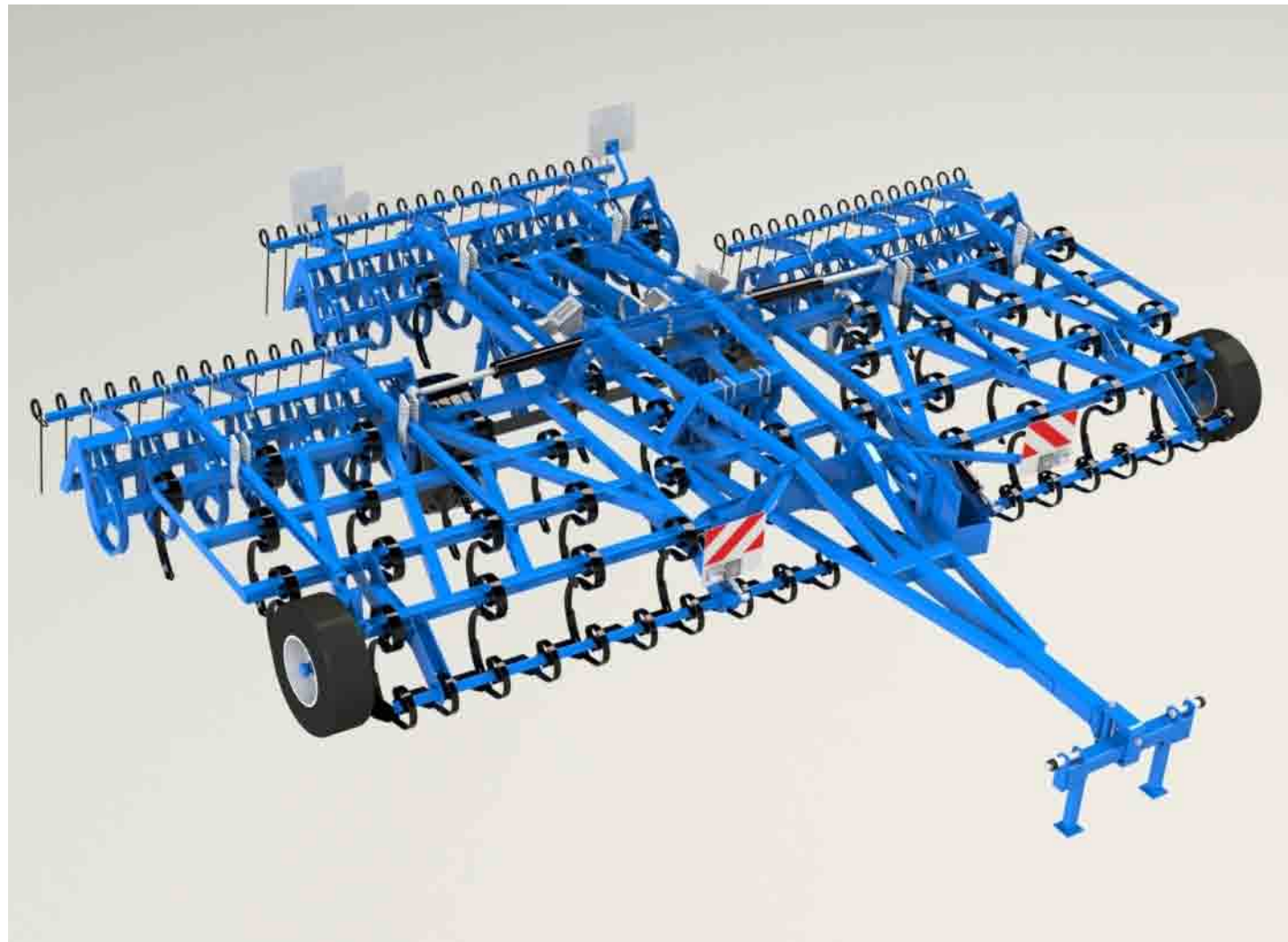


# Allrounder 600 / 750

- profiline -

The Allrounder –profiline- due to its under frame clearance of 60 cm is not a classic seedbed cultivator but much more a universal cultivator able to undertake various cultivation tasks. These include: - seedbed preparation after the plough, opening the soil for fast drying in the spring or

for 'working in' slurry and manure, Secondary stubble cultivations after the primary cultivation have been done with a heavy stubble cultivator to improve the straw mixing, and primary cultivations in lighter conditions. All these operations prove the flexible ability of the Allrounder –profiline-



## Integrated transport wheels

The integrated transport wheels significantly reduce the turning circle allowing small fields to be efficiently tackled and compaction is greatly reduced on the headlands. The wheels are lifted clear of the ground when working with the machine.



## Long drawbar

Due to the long draw bar tractors with dual wheels can be used. The manoeuvrability of the Allrounder –profiline- is not effected.







Unbeatable performance...



#### High under frame clearance

Contrary to the ground clearance experienced on earlier spring tine cultivators the Allrounder –profiline- with its 60 cm clearance can handle the trash and post harvest residues. This makes it possible to work in all conditions without blocking. Whether working in slurry or manure in springtime, working frost tilth or seedbed preparation the Allrounder –profiline- works most of the year. The Allrounder –profiline- is easy to pull, uses little fuel and offers high hourly outputs all key considerations at busy times of the year.



#### Robust frame construction

The frame of the Allrounder –profiline- is constructed in three parts. The strong centre section is reinforced front to back. The wings are reinforced diagonally to ensure the strength to handle the hardest of conditions. Massive hydraulic cylinders, which are automatically locked out when wings the lowered, fold and unfold the wings.



#### Following Harrow with 13 mm tines

The vertical following harrow tines are simple but effective. They mix the soil leaving clods on the surface to protect the soil from erosion. When working in stubble they following harrow tines improve the straw mixing effect. The ground pressure can be adjusted to suit the prevailing conditions.





# Allrounder 600 / 750 - profiline -

## Technical Data

	Allrounder 600	Allrounder 750
Working width	6,00 m	7,50 m
Transport width	3,00 m	3,00 m
No. of tines	36	44
Traction required from	118 kW / 160 PS	147 kW / 220 PS
Weight	4580 kg	5370 kg



### Hercules tines 70 x 12 mm

The Hercules tines are strong and produce high quality work. They can be equipped with either reversible or goose foot points.



### Hydraulic cross boards

The hydraulic cross boards level the ground and remove wheelings particularly when working ploughed ground. In heavy ground the clods are broken before entering the tine field, which then complete the work.



### Ideal rear re-consolidation

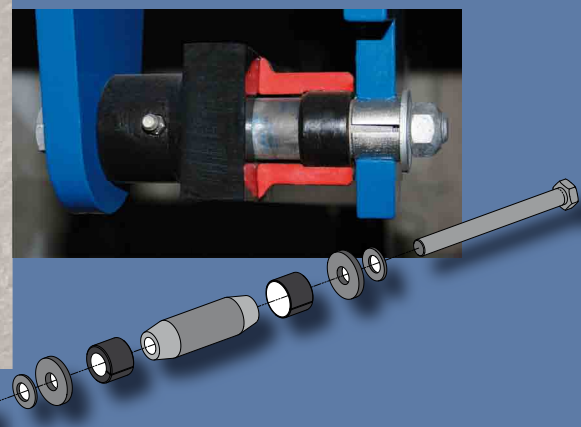
The Allrounder –profiline- is equipped as standard with a double STS roller to produce the ideal re-consolidation. The DSTS roller with its excellent strength works well in stony conditions. Capable of working in damp conditions due to the two rows of rings working in between each other producing a self cleaning effect. The U profile rings fill with soil and the friction between the soil in the ring and the soil on the ground keeps the roller turning with very little slip.



### Front support wheels

The massive front support wheels produce a precise working depth.

## URGENT: Fastening „LockPin“



LockPin is a permanent solution for mechanical pivots. Equally effective and reliable in agricultural machinery.

Pivots will begin to wear in all machinery and equipment. Even with close original tolerances, the holes in the lugs will become oval over time. The wear process will accelerate.

When the fasteners are tightened, the slitted sleeves are pushed down over the tapered ends of the axle, expanding parallelly to lock the LockPin in the pivot.

With the LockPin in your machinery pivots the problem of wear belongs to the history books. The wear problem is eliminated. Double sided locking increases stability and safety. Fitting and dismantling is simple.



*QUALITY is our watchword.*



1045 Allrounder 600/750 -profiline- 0710 GB  
KÖCKERLING retain the right to make product improvements.

### Your importer

Samagri Ltd  
The Well House 4 Stable Court  
Herriard Basingstoke  
Hampshire RG25 2PL  
[WWW.SAMAGRI.CO.UK](http://WWW.SAMAGRI.CO.UK)  
Tel 01256 384208



DE



GB



F



PL



RUS



CZ